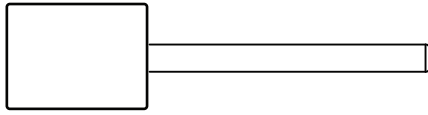


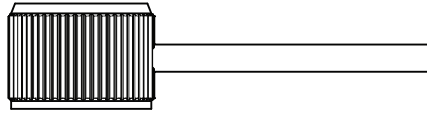
# SPECIFICATIONS

## SOUL BASIN MIXER

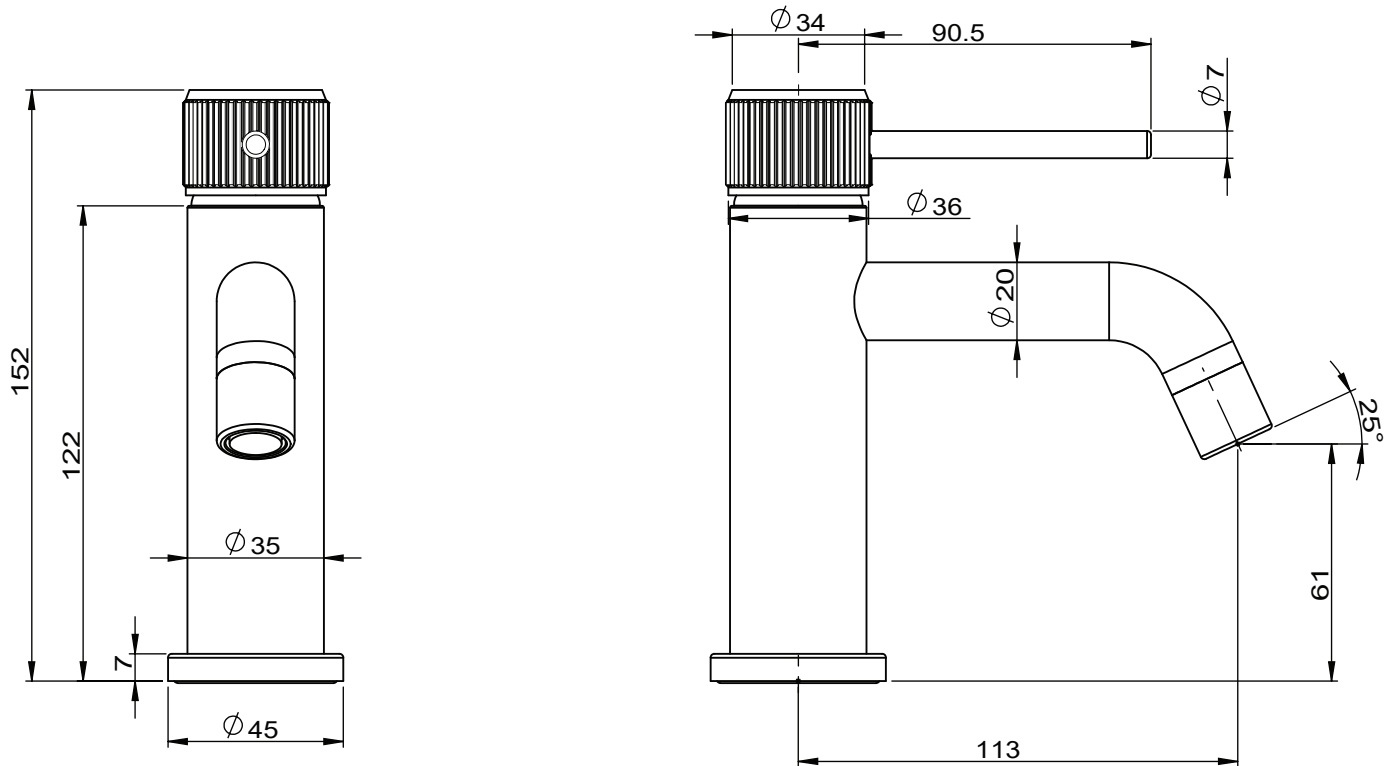
# Adp



Soul



Soul Groove



### Soul:

JTAPBSOUCP (Chrome)

### Soul Groove:

JTAPBSOUBA (Matte Black)

JTAPBSOUNK (Brushed Nickel)

JTAPBSOUBB (Brushed Brass)

JTAPBSOUWA (Matte White)

JTAPBSOUBCO (Brushed Copper)

### Water supply requirements

Not recommended for gravity fed water systems or water tanks.

Working Pressure: 350 - 500kpa (including cold and hot water pressure)

Maximum Pressure: 73psi / 500kpa

Temperature Rating: 5°C - 65°C (must not exceed 70°C)

Installation should comply with Australian standard AS/NZS 3500 or relevant local authority requirements.