

VERONA Back-to-Wall Freestanding Bath

1700x800x580mm



SPECIFICATIONS

Product Code IVBT-BW-1700-NF

Features: Designed to be Next to a Wall
5mm Sanitary Grade Acrylic
High Gloss White Finish with Good Heat Retention
No Overflow; 40mm Pop-up Waste Included
Self-supporting Frame and Adjustable Legs

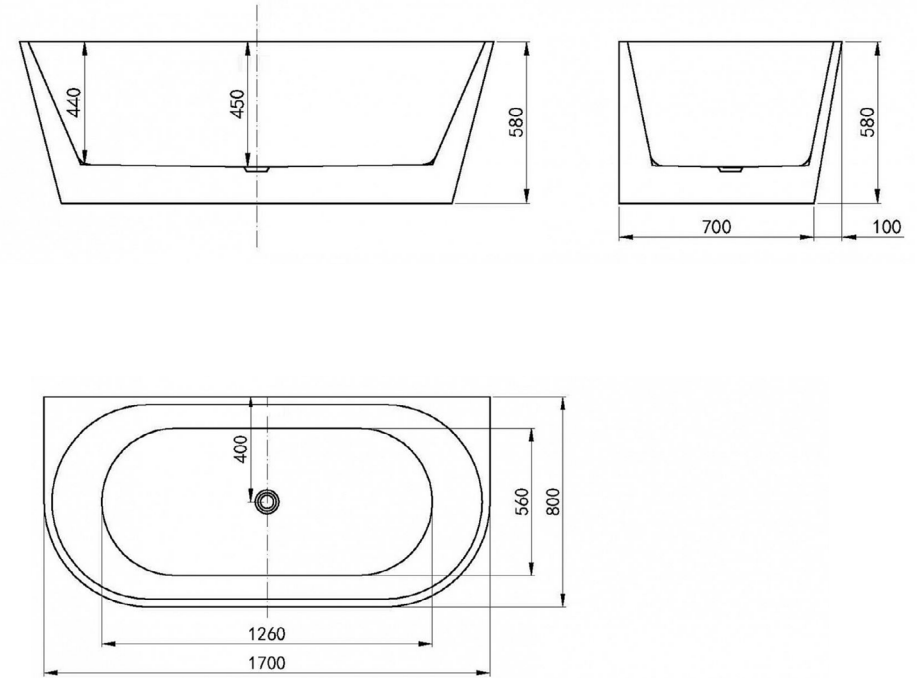
Recommended Part: Bath Flex Hose Connector Flexible Tube (11736)
40x40x88mm

Size: 1700x800x580



While we aim to ensure specifications are correct at the time of publication, Inspirebathware reserves the right to make modifications without prior notice.

All measurements are shown in millimetres. Always use physical product measurements for mark-ups and roughing-in as the technical drawing may differ from actual product received.



SPECIFICATIONS

Bathtub must be installed by licensed plumber in accordance with local regulations and standards.

PACKAGE INFO

| Package Size mm | | | Gross Weight kg |
|-----------------|-----|-----|-----------------|
| 1740 | 840 | 630 | 49 |