

# LEFT CORNER BATH 1500L

Back To Wall

1500x750x595mm

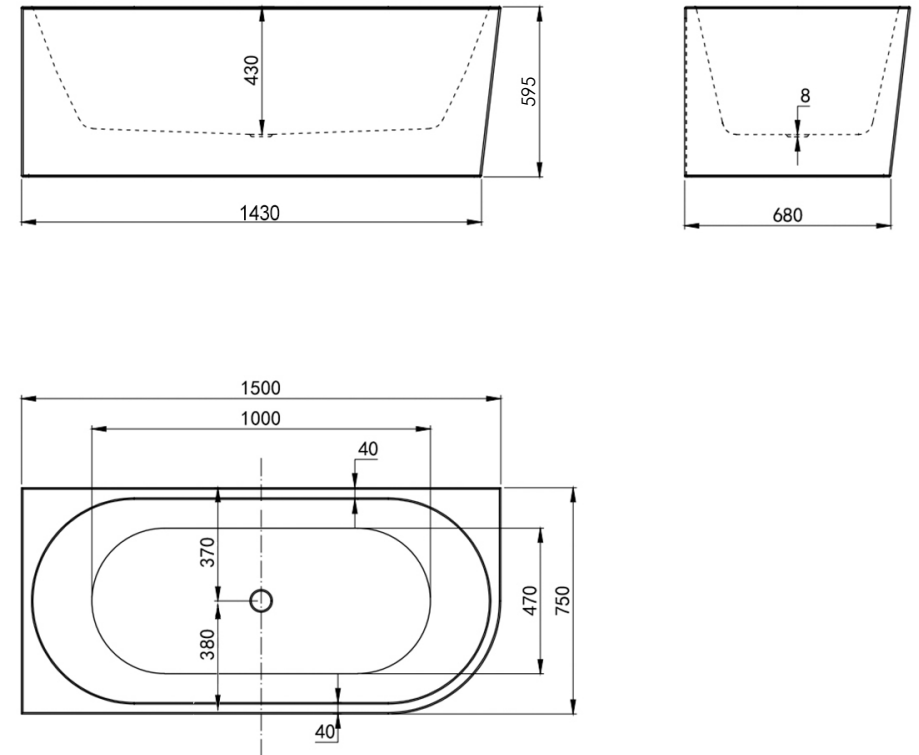
## SPECIFICATIONS

Product Code ICBT-1500L-NF

Features: 5mm Sanitary Grade Acrylic  
High Gloss White Finish with Good Heat Retention  
No Overflow; 40mm Pop-up Waste Included  
Self-supporting Frame and Adjustable Legs

Recommended Part: Bath Flex Hose Connector Flexible Tube (11736)  
40x40x88mm

Size: 1500x750x595



## SPECIFICATIONS

Bathtub must be installed by licensed plumber in accordance with local regulations and standards.

## PACKAGE INFO

Package Size mm			Gross Weight kg
1540	790	630	30

While we aim to ensure specifications are correct at the time of publication, Inspirebathware reserves the right to make modifications without prior notice.

All measurements are shown in millimetres. Always use physical product measurements for mark-ups and roughing-in as the technical drawing may differ from actual product received.