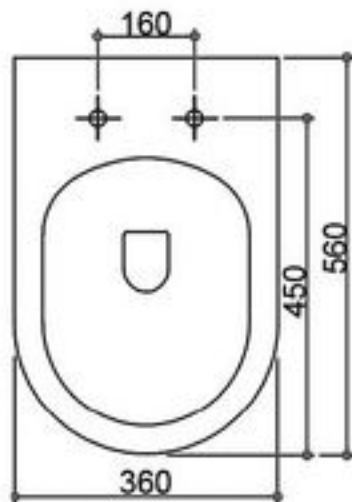
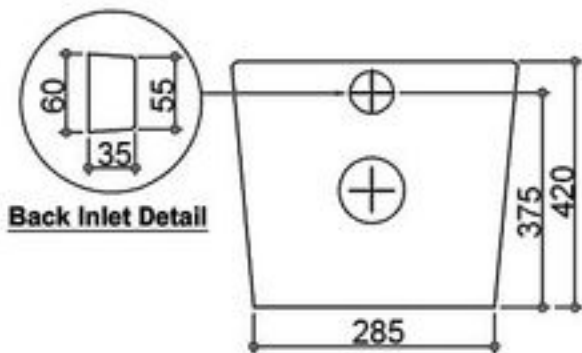


SIDE VIEW



TOP VIEW



Back Inlet Detail

BACK VIEW