

paco jaansōn

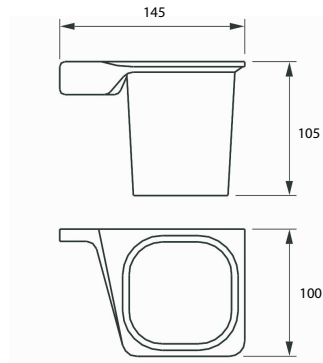
TWIST

Bathroom Accessories - Glass Holder
Product Code: HI-27031



Dimensions

145mm (w) x 100mm (d) x 105mm (h)



Features

Stylish Chrome Plated Finish
7 Years Limited Manufacturers Warranty
1 Year Limited Commercial Warranty
Complete Range



DESCRIPTION

Every piece in the Twist Range is the result of an evolution of thought and purpose that can only be achieved with the collaboration of knowledge and experience of the best professionals drawn from architecture, graphic, industrial & fashion design. All these disciplines brought together to develop and create something truly special.

Whether selected for quality, for design or for function the Twist Range will continue to please well into the future. The search for perfection through goods designed to last, of demonstrably high quality which will be around for a long time to come.

PRICING STRUCTURE

Retail Pricing:
Chrome Plated Brass
\$117.00 gst inclusive



PACO JAANSON BATHROOM INNOVATIONS
Copyright © 2018 All rights reserved

Telephone : 1800 006 260
Email - info@pacojaanson.com.au
www.pacojaanson.com.au