

paco jaanson

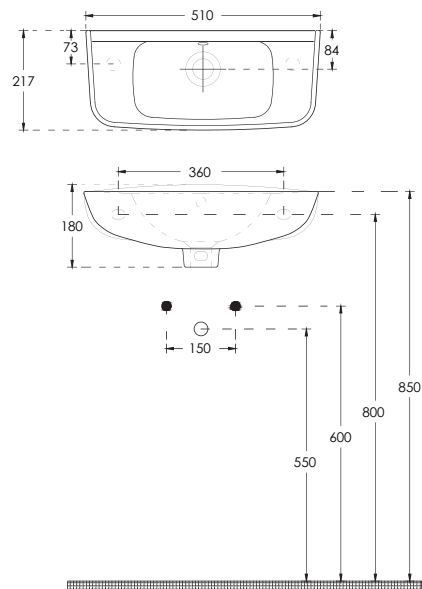
PROJECT WALL BASIN

510mm Wall Hung Ceramic Washbasin - Right Hand Tap Hole
Code: ECE3020



Dimensions

510mm (w) x 217mm (d) x 180mm (h)



DESCRIPTION

Brighten any bathroom with this stylish ceramic wall mount basin from the Project range. This basin will be an elegant yet affordable addition to any bathroom.

Add a touch of sophistication and with the Project name you are assured of style, strength and long lasting endurance.

Let the clean lines and timeless styling speak for itself, whether it be incorporated into a domestic or commercial area.

PRICING STRUCTURE

Retail Pricing:
Basin: ECE3020
\$153.00 gst inclusive

Features

- One tap hole & Overflow supplied standard
- Plug and waste not included
- Vitreous china
- 15 Years Limited Manufacturers Warranty
- 1 Year Limited Commercial Warranty
- Wall fixings included



*Additional holes - Optional extra

PACO JAANSON BATHROOM INNOVATIONS
Copyright © 2018. All rights reserved. Updated: 09th April 2022.

Telephone : 1800 006 260
Email - info@pacojaanson.com.au
www.pacojaanson.com.au