

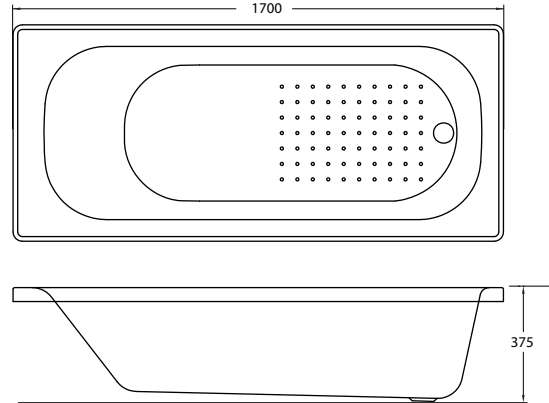
# paco jaansōn

## NUEVA

1700mm Drop-in Bath - Enamelled Steel  
Product Code: Val-Nuevahu170



Dimensions  
1700mm (w) x 700mm (d) x 375mm (h)



## DESCRIPTION

The Nueva Bath range exemplifies the principles of quality, strength and resilience while visually adhering to a design philosophy that less is more.

The simple, clean lines, combine to create a timeless design, while the high gloss, anti-slip, sanitary grade finish is both practical and safe.

Nueva baths are built to last: they are resilient to discolour, crack or move under weight.

## PRICING STRUCTURE

Retail Pricing:

White Finish \$470.00 gst inclusive Pop-Up  
Plug ( Hi-P&W04 ) \$26.40 gst inclusive

Orders of five or less in one delivery are subject to a freight charge of \$220.00 (gst inclusive) to all areas.



Features

High Grade Steel  
Plug & Waste Optional Extra ( Hi-P&W04 )  
Fitted inside a frame enclosure  
10 Years Limited Manufacturers Warranty  
1 Year Limited Commercial Warranty  
Ergonomic Comfort  
Water Capacity 166 Litres  
Weight 38 kgs  
Island Style ( No Tile Lip )  
Tile bead strip not included

PACO JAANSON BATHROOM INNOVATIONS  
Copyright © 2019. All rights reserved. Updated: 10th July 2020.

Telephone : 1800 006 260

Email - [info@pacojaanson.com.au](mailto:info@pacojaanson.com.au)

[www.pacojaanson.com.au](http://www.pacojaanson.com.au)