

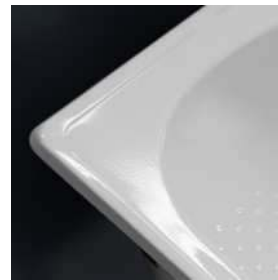
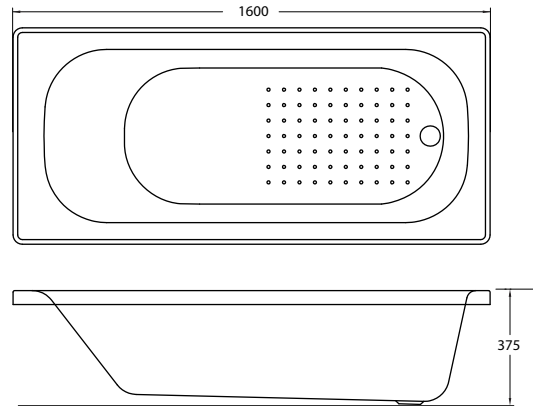
paco jaansōn

NUEVA

1600mm Drop-in Bath - Enamelled Steel
Product Code: Val-Nuevahu160



Dimensions
1600mm (w) x 700mm (d) x 375mm (h)



DESCRIPTION

The Nueva Bath range exemplifies the principles of quality, strength and resilience while visually adhering to a design philosophy that less is more.

The simple, clean lines, combine to create a timeless design, while the high gloss, anti-slip, sanitary grade finish is both practical and safe.

Nueva baths are built to last: they are resilient to discolour, crack or move under weight.



Features

- High Grade Steel
- Plug & Waste Optional Extra (Hi-P&W04)
- Fitted inside a frame enclosure
- 10 Years Limited Manufacturers Warranty
- 1 Year Limited Commercial Warranty
- Ergonomic Comfort
- Water Capacity 155 Litres
- Weight 38 kgs
- Island Style (No Tile Lip)
- Tile bead strip not included

PRICING STRUCTURE

Retail Pricing:

White Finish \$437.00 gst inclusive

Pop-Up Plug (Hi-P&W04) \$26.40 gst inclusive

Orders of five or less in one delivery are subject to a freight charge of \$220.00 (gst inclusive) to all areas.

PACO JAANSON BATHROOM INNOVATIONS
Copyright © 2019. All rights reserved. Updated: 10th July 2020.

Telephone : 1800 006 260

Email - info@pacojaanson.com.au

www.pacojaanson.com.au