

## Bianca Shower Set



Dimensions are nominal measurements only.



Versions: 2022.03

## SPECIFICATION

PRODUCT CODE	YSW2508-05C
WELS RATING	4STAR 7.5L/MIN
WATERMARK LICENSE	WM-060093
TEMPERATURE RATING	MIN 1°C-MAX 75°C
PRESSURE RATING	MIN 150KPa-MAX 500KPa

## FINISH

	BRUSHED NICKEL NR250805cBN		MATTE BLACK NR250805cMB
	BRUSHED GOLD NR250805cBG		GUN METAL NR250805cGM

## MAINTENANCE AND CARE

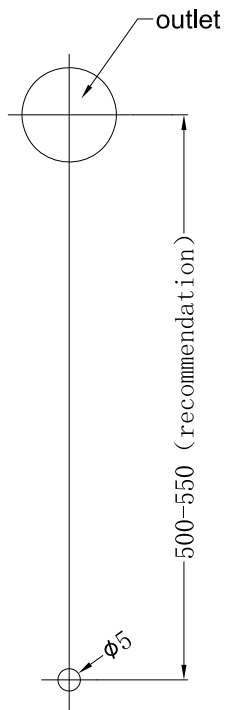
All surfaces should be cleaned with mild liquid detergent or soap and water.

Do not use cream cleaners or citrus based cleaning products, as they are abrasive.

Use of unsuitable cleaning agents may damage the surface. Any damage caused in this way will not be covered by warranty

## PACKING INCLUDES

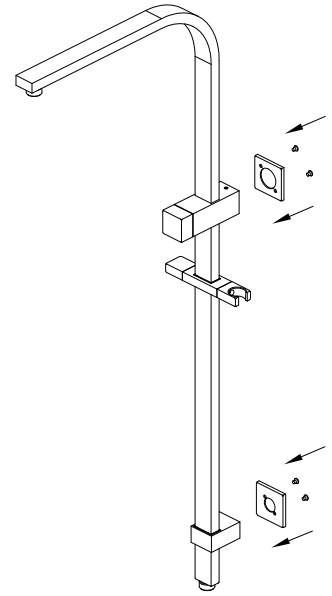
- 1x shower arm
- 1x shower rail
- 1x shower head
- 1x hand shower
- 1x 1.5m PVC hose
- 1x installation kit



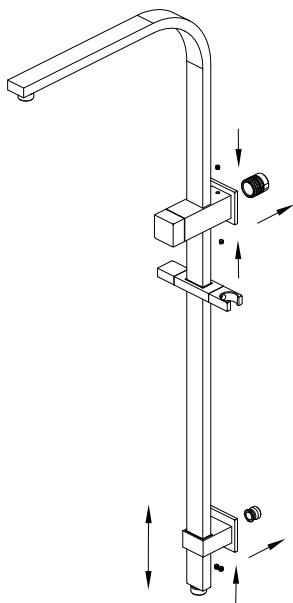
1. Drill a  $\phi 6$ mm hole at the outlet vertical downward position in the recommendation range.



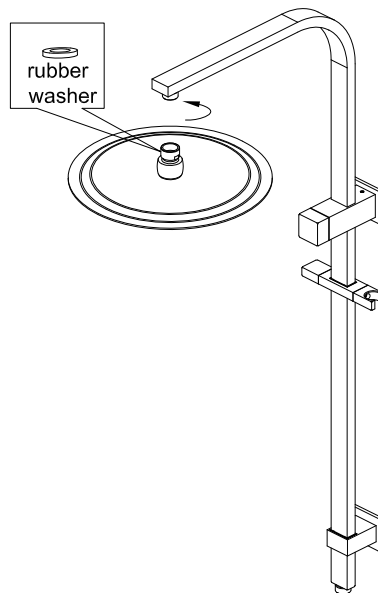
2. Screw the adapter on the outlet, and mount the bracket on the  $\phi 6$ mm hole by expansion plug and tapping screw.



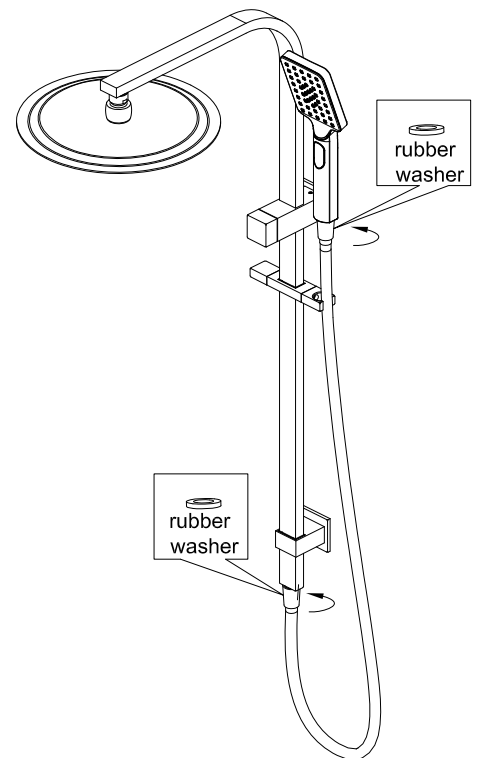
3. Screw the straight tube (with lower body) on diverter body, and then pull on the 2 dressing rings for both the diverter body and lower body.



4. Adjust lower body position, and put diverter body and lower body on to the outlet adapter and the bracket, then tighten grub screws by Allen key.



5. Screw on shower head. (note the rubber washer in the shower head.)



6. Screw shower hose to hand shower and shower rail. (note the rubber washers in the 2 joints of the shower hose).