

Mecca Shower Mixer Divertor System



SPECIFICATION

| | |
|--------------------|-----------------------|
| PRODUCT CODE | YSW2219-03F |
| WELS RATING | 4 STAR 7.5L/MIN |
| WATERMARK LICENSE | WM-060073 |
| TEMPERATURE RATING | MIN 1°C-MAX 75°C |
| PRESSURE RATING | MIN 150KPa-MAX 500KPa |

FINISH

| | | | |
|---|-------------------------------|---|-------------------------------|
|  | CHROME NR221903fCH |  | MATTE BLACK NR221903fMB |
|  | BRUSHED NICKEL NR221903fBN |  | GUN METAL NR221903fGM |
|  | BRUSHED GOLD NR221903fBG |  | BRUSHED BRONZE NR221903fBZ |
|  | MATTE WHITE NR221903fMW | | |

MAINTENANCE AND CARE

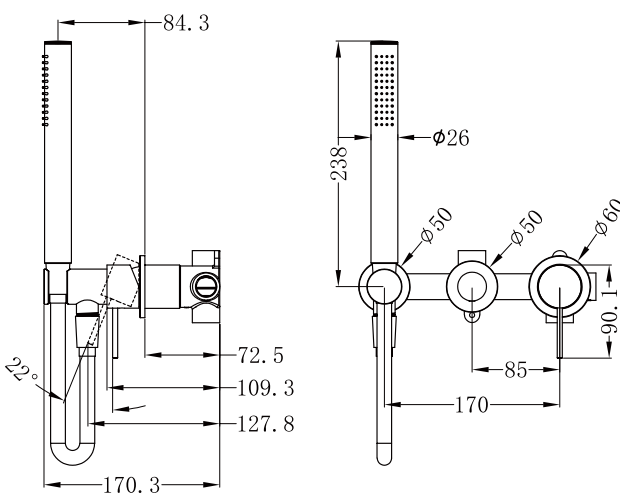
All surfaces should be cleaned with mild liquid detergent or soap and water.

Do not use cream cleaners or citrus based cleaning products, as they are abrasive.

Use of unsuitable cleaning agents may damage the surface. Any damage caused in this way will not be covered by warranty.

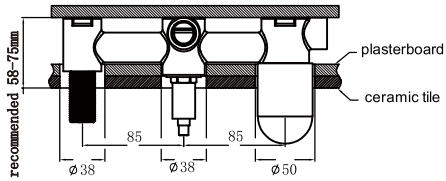
PACKING INCLUDES

- 1x body
- 1x plate
- 1x handle
- 1x hand wheel
- 1x hand shower
- 1x 1m PVC hose
- 1x install kits

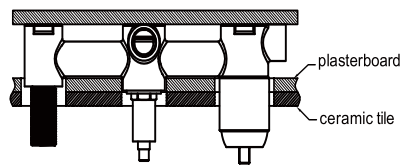


Dimensions are nominal measurements only.

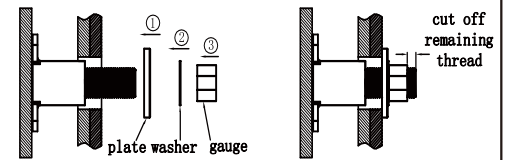




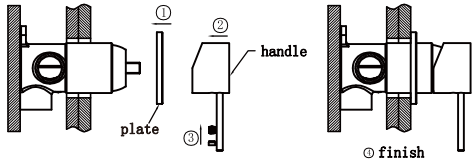
1. Fix body on noggin and ensure install depth is 58-75mm from noggin to ceramic tile.
2. Connect cold water hose and hot water hose and conduct water pressure test for leakage.
3. Install gypsum board and ceramic tile after drilling a $\phi 50$ and two $\phi 38$ holes according to above picture.



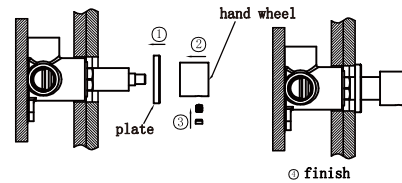
4. Remove the plastic sleeve.



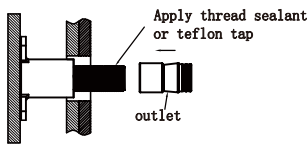
5. Put plate, washer and gauge onto outlet successively as above picture. Cut off remaining thread against to the cut off gauge. Then take off gauge, washer and plate.



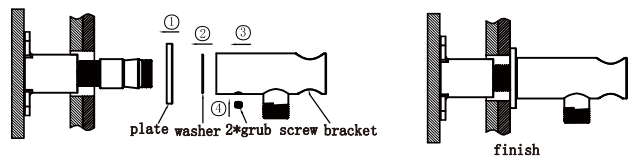
6. Install plate and handle onto body successively.



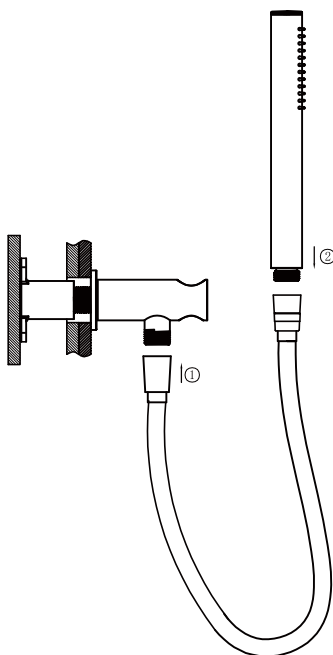
7. Install plate, hand wheel successively.



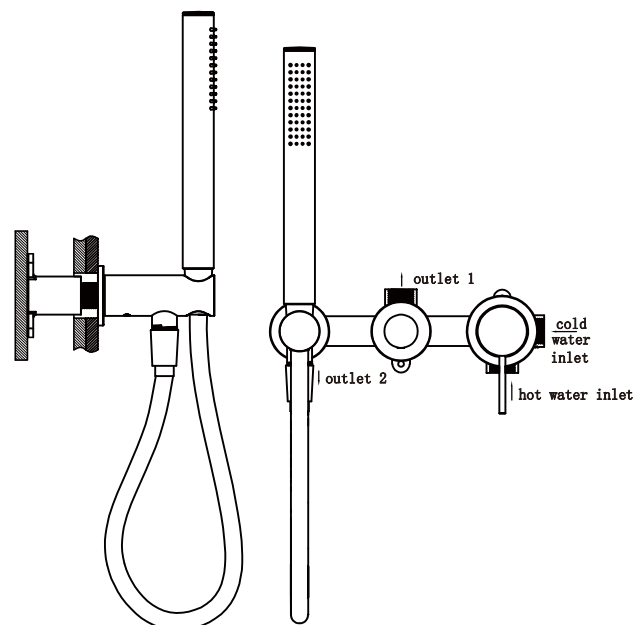
8. Apply thread sealant or teflon tap on outlet thread, tighten outlet onto outlet thread by wrench.



9. Install plate, washer, bracket onto outlet, tighten grub screw by hex wrench.



10. Connect bracket and hand shower with hose.



11. TEST & CHECK FOR LEAKS.