

paco jaanson

PACO JAANSON BATHROOM INNOVATIONS
Copyright © 2020. All rights reserved. Updated 17th April 2021.

Telephone : 1800 006 260

Email - info@pacojaanson.com.au

LUCERNE

Close Coupled Back To Wall Suite - Rimless Flushing System

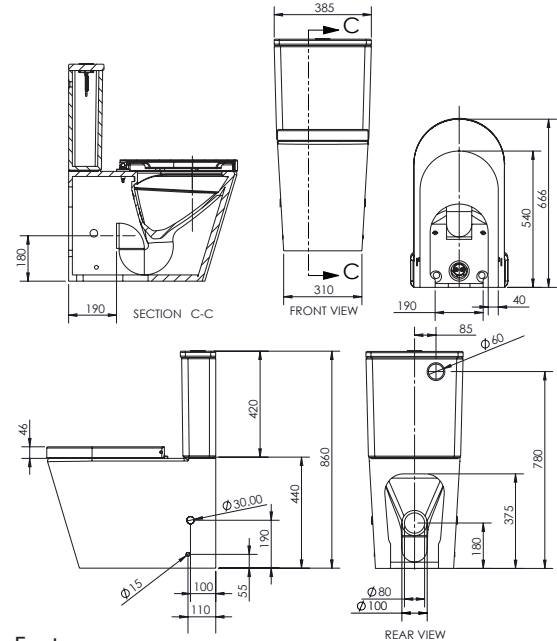
Codes: LT-2125A-RR/HY2007 (Rear Inlet) or LT-2125A-RB/HY2007 (Bottom Inlet)



Pictured with Thick Flat UF - Quality Seat (HY2007)

Dimensions

360mm (w) x 670mm (d) x 860mm (h)



DESCRIPTION

The Lucerne toilet from Paco Jaanson is one of our most popular toilet suites and will suit a classic and relaxed bathroom with its contemporary design and proven Paco Jaanson reliability.

The Rimless Flushing System is a unique feature of the Lucerne wall faced toilet, making it a perfect upgrade or inclusion into any bathroom setting.

The suite is manufactured with a flawless production process and is hand finished with a superior glazing technique.

The pan is designed for S or P-trap installation & can be installed as a rear or bottom entry unit.

PRICING STRUCTURE

REAR INLET

LT-2125A-RR/HY2007	LT-2125A-RR/HY2049
\$700.00 gst inclusive	\$700.00 gst inclusive

BOTTOM INLET

LT-2125A-RB/HY2007	LT-2125A-RB/HY2049
\$700.00 gst inclusive	\$700.00 gst inclusive

Features

Rimless Flushing System

R&T Inlet & Outlet Valve

Bottom or Rear Entry Water Inlet Cistern

S-Trap : 50-150mm Adjustable with V-910 Connector

P-Trap : 180mm

Fixings / Brackets - Floor fixing kit included

4 Star - Wels 3.3 Litres Average

15 Years Limited Manufacturers Warranty

1 Year Limited Commercial Warranty

Thick Flat UF - Quality Seat (HY2007) included

Available with Slim Flat UF - Quality Seat (HY2049)

Codes: LT-2125A-RR/HY2049 or LT-2125A-RB/HY2049



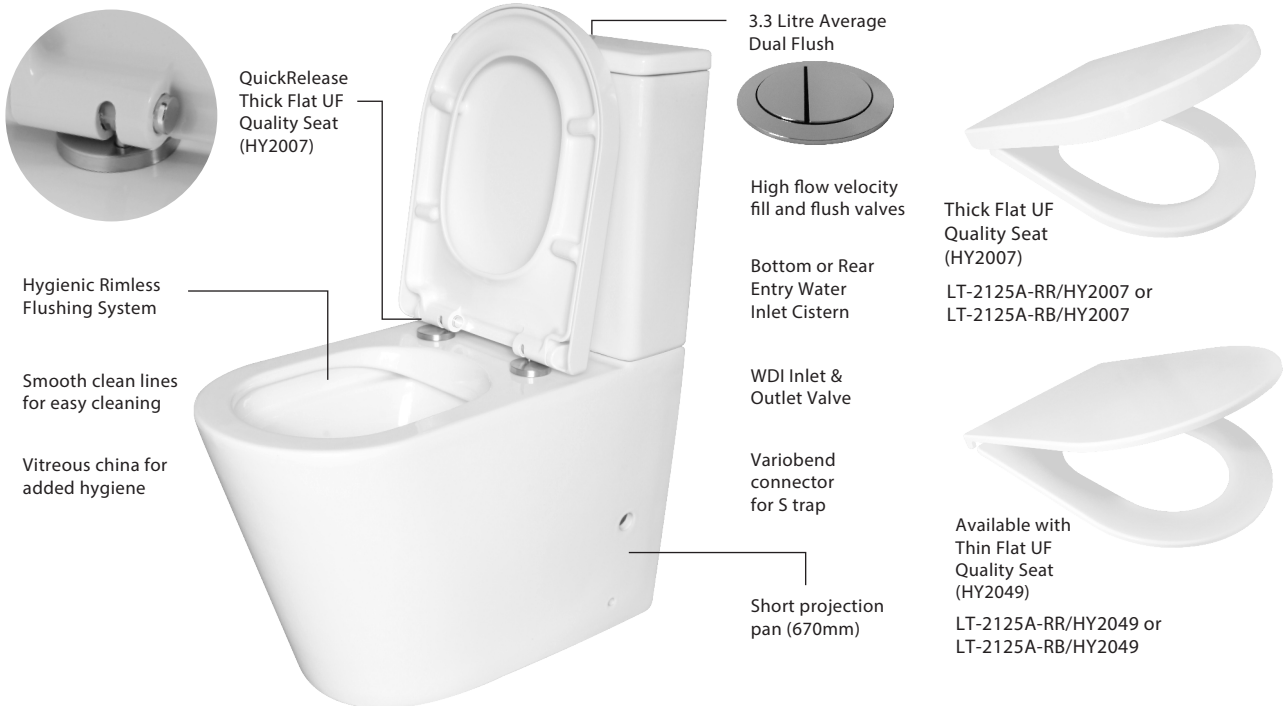
LUCERNE

Close Coupled Back To Wall Suite - Rimless Flushing System

Codes: LT-2125A-RR/HY2007 (Rear Inlet) or LT-2125A-RB/HY2007 (Bottom Inlet)

Dimensions

360mm (w) x 670mm (d) x 860mm (h)



All installations should be carried out by a qualified tradesman in compliance with the national Plumbing & Drainage Code and any State or Local Authority Regulations, in accordance with AS/NZS 3500 series of standards and AS/NZA 6400.

WARRANTY STATEMENT

Paco Jaanson vitreous china is guaranteed for 15 years (seat cover, accessories, valves, washers are guaranteed for 1 year) from date of purchase subject to the following conditions:

1. Installation has been carried out by a licensed plumber in accordance with the plumbing code of Australia.
2. All maintenance and adjustments to the product after the installation have been carried out by a licensed plumber.
3. Only mild household detergents and soft (non-abrasive) cloth has been used to clean the product.
4. All goods of substandard quality manufacture (excluding imperfections permitted within AS1976 - vitreous china used in sanitary applications) will be credited or replaced by Paco Jaanson when advised within the warranty period, subject to prior inspection and agreement.
5. Proof of purchase is required for warranty claims.

FULL WARRANTY & CONDITIONS

www.pacojaanson.com.au

LIMITATIONS

To the extent permitted under the Trade Practices Act and other relevant legislation, Paco Jaanson's liability is limited to: The cost of replacing the goods, or The cost of obtaining equivalent goods, or The cost of having the goods repaired. Paco Jaanson is not responsible for any lack of operation or performance of goods (or any loss or damage) where goods are used or adapted for a with other goods not supplied by Paco Jaanson. It is the responsibility of the customer and installer before installation to ensure are correct and free of obvious visible faults. Paco Jaanson is not responsible for the labour and rectification costs incurred in the above circumstance.

PRICING STRUCTURE

REAR INLET

LT-2125A-RR/HY2007	LT-2125A-RR/HY2049
\$700.00 gst inclusive	\$700.00 gst inclusive

BOTTOM INLET

LT-2125A-RB/HY2007	LT-2125A-RB/HY2049
\$700.00 gst inclusive	\$700.00 gst inclusive