

paco jaansōn

ISVEA  1962 ITALIA

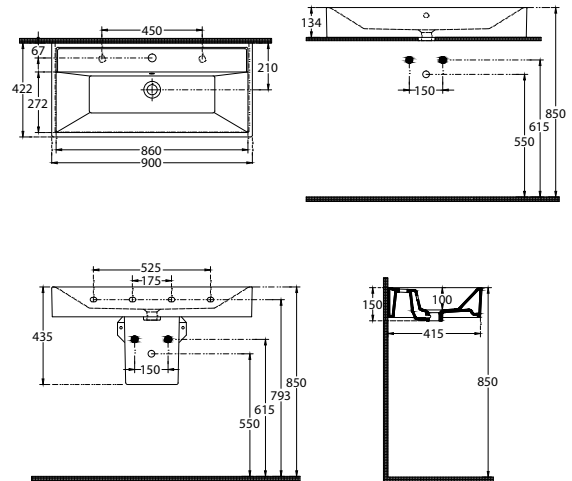
Sekura - 900mm Wall Basin White

Product Code: SER7729



Dimensions

900mm (w) x 422mm (d) x 134mm (h)



DESCRIPTION

The Sekura collection, designed and manufactured in Italy, offers fine detailing without compromising on practicality.

Understanding bathroom expectations in the best way and creating designs accordingly, the OMC2 Design Studio carries out studies that generate solutions which develop the design culture of institutions.

The OMC2 Design Studios impress by the diversity offered in the designs of the Isvea washbasin collection.

Consider this a statement piece that is both furniture and a dramatic focus for any bathroom.




OMC2 Design Studios

Features

One Taphole Only

Complete With Overflow

Suitable for Wall Mounting

Plug + Waste Not Included

Available in 900, 700, 600 + 500mm

15 Years Limited Manufacturers Warranty

1 Year Limited Commercial Warranty



Additional holes - Optional extra

PRICING STRUCTURE

Retail Pricing:

Gloss White

\$1,001.00 gst inclusive

PACO JAANSON BATHROOM INNOVATIONS

Copyright © 2018. All rights reserved. Updated: 04th November 2020.

Telephone : 1800 006 260

Email - info@pacojaanson.com.au

www.pacojaanson.com.au