

paco jaansōn

ISVEA  1962 ITALIA

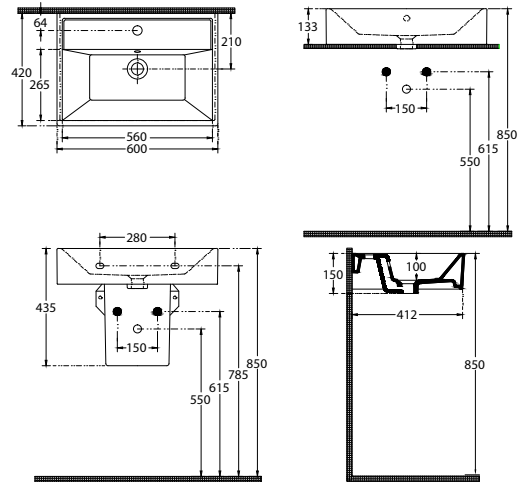
Sekura - 600mm Wall Basin White

Product Code: SER7727



Dimensions

600mm (w) x 420mm (d) x 133mm (h)



DESCRIPTION

The Sekura collection, designed and manufactured in Italy, offers fine detailing without compromising on practicality.

Understanding bathroom expectations in the best way and creating designs accordingly, the OMC2 Design Studio carries out studies that generate solutions which develop the design culture of institutions.

The OMC2 Design Studios impress by the diversity offered in the designs of the Isvea washbasin collection.

Consider this a statement piece that is both furniture and a dramatic focus for any bathroom.

PRICING STRUCTURE

Retail Pricing:
Gloss White
\$450.00 gst inclusive




OMC2 Design Studios

Features

- One Taphole Only
- Complete With Overflow
- Suitable for Wall Mounting
- Plug + Waste Not Included
- Available in 900, 700, 600 + 500mm
- 15 Years Limited Manufacturers Warranty
- 1 Year Limited Commercial Warranty

Additional holes - Optional extra

PACO JAANSON BATHROOM INNOVATIONS
Copyright © 2015 All rights reserved

Telephone : 1800 006 260
Email - info@pacojaanson.com.au
www.pacojaanson.com.au