

paco jaansōn

ISVEA  1962 ITALIA

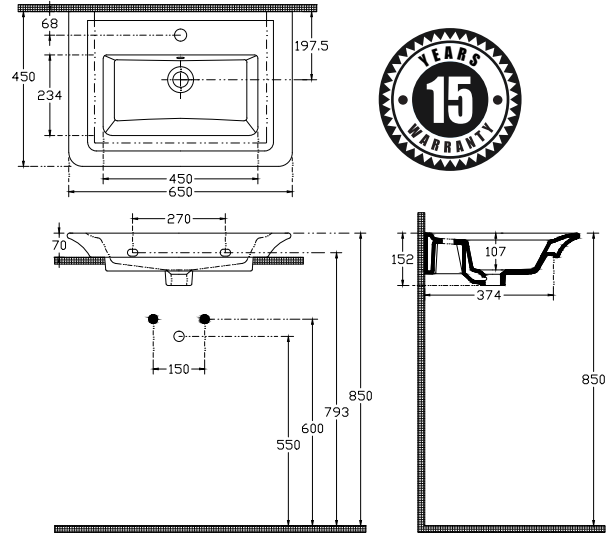
Eleganza - 650mm Wall / Bench Basin White

Product Code: ISV-10LG50065SV



Dimensions

650mm (w) x 450mm (d) x 152mm (h)



DESCRIPTION

The Eleganza collection, designed and manufactured in Italy, offers fine detailing without compromising on practicality.

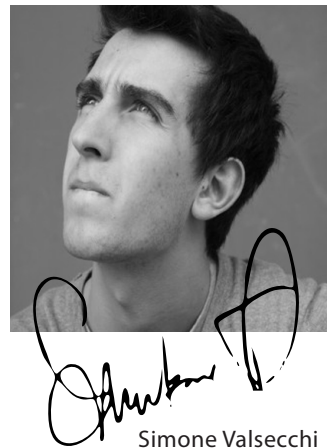
Understanding bathroom expectations in the best way and creating designs accordingly, Isvea carries out studies that generate solutions which develop the design culture of institutions.

The Isvea impress by the diversity offered in the designs of the Eleganza washbasin collection.

Consider this a statement piece that is both furniture and a dramatic focus for any bathroom.

PRICING STRUCTURE

Retail Pricing:
Gloss White
\$660.00 gst inclusive



Simone Valsecchi



Features

Vitreous china

15 Years Limited Manufacturers Warranty

1 Year Limited Commercial Warranty

With Taphole + Overflow

Suitable for Furniture + Wall Mounting

Plug + Waste Not Included

Available in 650, 800 + 1000mm

Additional holes - Optional extra

PACO JAANSON BATHROOM INNOVATIONS
Copyright © 2018. All rights reserved. Updated: 04th November 2020.

Telephone : 1800 006 260

Email - info@pacojaanson.com.au

www.pacojaanson.com.au