

paco jaansōn

ISVEA  1962 ITALIA

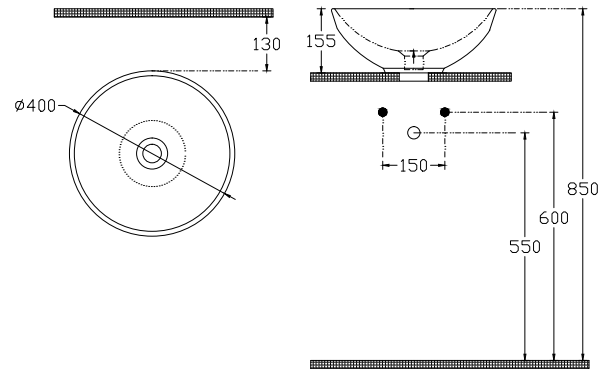
Bessa - Round Vessel Basin White

Product Code: SER2702



Dimensions

400mm (w) x 400mm (d) x 155mm (h)



DESCRIPTION

The Bessa collection, designed and manufactured in Italy, offers fine detailing without compromising on practicality.

Understanding bathroom expectations in the best way and creating designs accordingly, the Nativita Design House carries out studies that generate solutions which develop the design culture of institutions.

Nativita Design House Studio impress by the diversity offered in the designs of the Isvea washbasin collection.

Consider this a statement piece that is both furniture and a dramatic focus for any bathroom.

PRICING STRUCTURE

Retail Pricing:
Gloss White
\$260.00 gst inclusive



Nativita Design House

Features

- Suitable for Furniture Mounting
- Plug + Waste Not Included
- Easy to Clean + Polish
- Vitreous china
- 15 Years Limited Manufacturers Warranty
- 1 Year Limited Commercial Warranty

PACO JAANSON BATHROOM INNOVATIONS
Copyright © 2020. All rights reserved. New to Isvea: 04th April 2022.

Telephone : 1800 006 260
Email - info@pacojaanson.com.au
www.pacojaanson.com.au