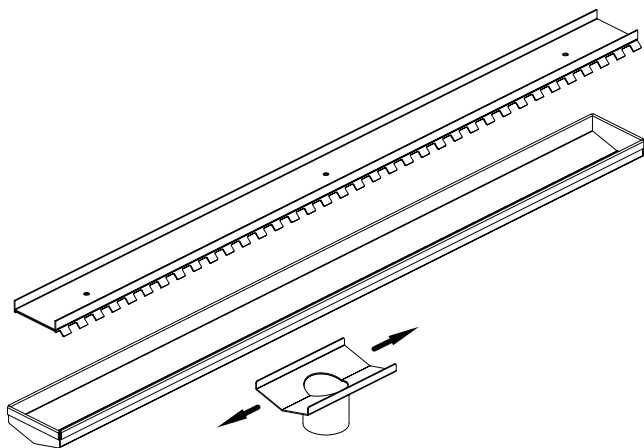
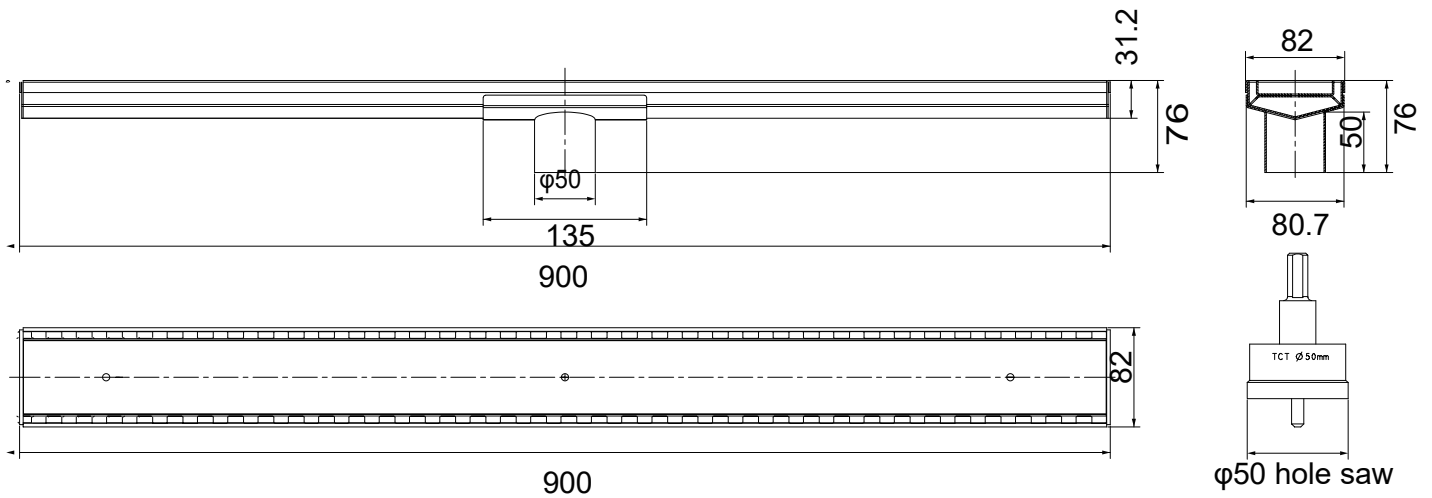







## Tile Insert V Channel Floor Grate 50mm Outlet



### SPECIFICATION

PRODUCT CODE	FG002
MATERIAL	304 stainless steel
SIZE	900*82*76mm
WATERMARK LICENSE	WM-032203
WARRANTY	10 years warranty

### AVAILABLE FINISH

	GUN METAL NRFG002HSGM		BRUSHED NICKEL NRFG002HSBN
	BRUSHED BRONZE NRFG002HSBZ		BRUSHED GOLD NRFG002HSBG
	MATTE BLACK NRFG002HSMB		

Note:

11.2mm deep insert can accommodate up to 10mm tile+adhesive