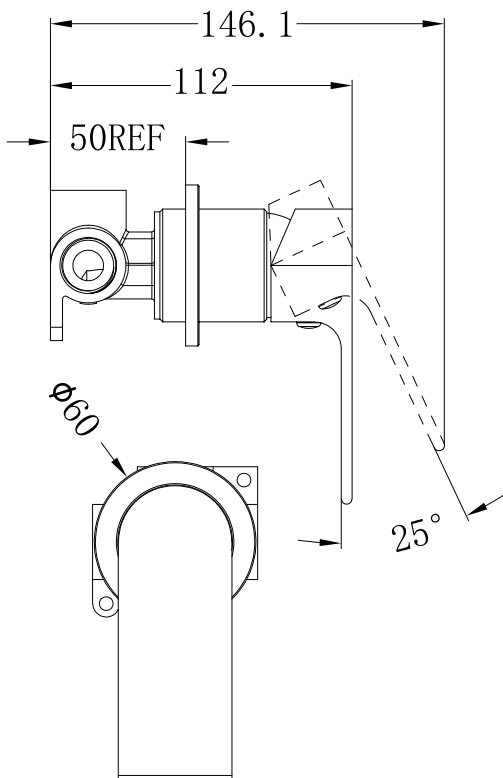
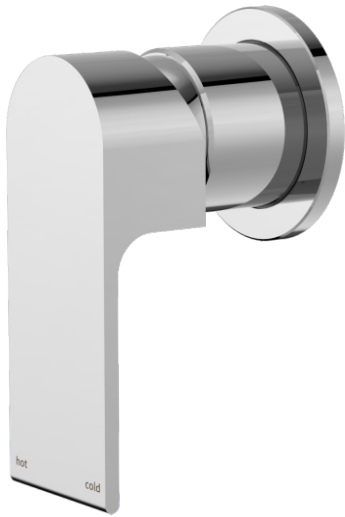


Bianca Shower Mixer With 60mm Plate








Dimensions are nominal measurements only.

SPECIFICATION

PRODUCT CODE	YSW3215-09H
WELS RATING	N/A
WATERMARK LICENSE	WM-060073
TEMPERATURE RATING	MIN 1°C-MAX 75°C
PRESSURE RATING	MIN 150KPa-MAX 500KPa

FINISH

	CHROME NR321509hCH		MATTE BLACK NR321509hMB
	BRUSHED NICKEL NR321509hBN		GUN METAL NR321509hGM
	BRUSHED GOLD NR321509hBG		

MAINTENANCE AND CARE

All surfaces should be cleaned with mild liquid detergent or soap and water.

Do not use cream cleaners or citrus based cleaning products, as they are abrasive.

Use of unsuitable cleaning agents may damage the surface. Any damage caused in this way will not be covered by warranty.

PACKING INCLUDES

- 1x mixer body
- 1x plate
- 1x handle
- 1x installation kit

