

# paco jaanson

## DAYTONA MARK II - RIMLESS

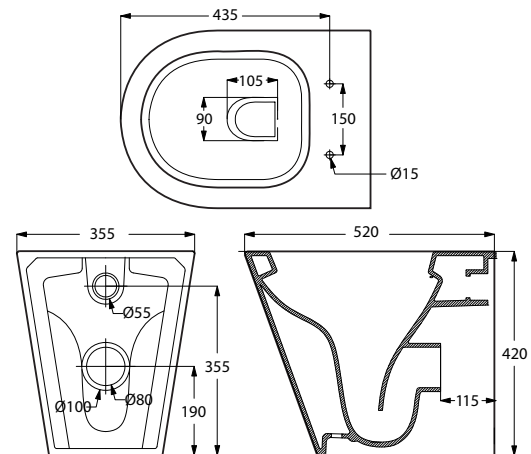
Short Projection Wall Face Pan White

Product Code: A2006



### Dimensions

355mm (w) x 520mm (d) x 420mm (h)



## DESCRIPTION

When minimalism is a must, Daytona is always first over the line. Its streamlined pan is perfect for the modern pace of everyday living and short projection allows extra space in any bathroom.

Daytona Floor Pan is designed to get maximum hygiene using minimum water by advanced Rimless technology. This means water is injected into the pan with only two outlets of very high water efficiency, eliminating the need for a rim which can accumulate bacteria over time.

Elegant, spotless, and graceful, Daytona's shape is as pleasing to look at, as it is easy to clean. The pan and adjacent space are contained within a design marked by soft curves.

*Quehi Beer*

### Features

- 15 Years Limited Manufacturers Warranty
- 1 Year Limited Commercial Warranty
- Suitable with Concealed Cistern
- P-Trap 180mm
- Optional Strap 150mm - AU-003\* ( Not Included )
- 4 Star - Wels 3.3 Litres Average
- Short Projection from Wall (520mm)
- Soft Close Seat included
- Made from Vitreous China



## PRICING STRUCTURE

Please specify if Strap is required when ordering

Retail Pricing:

Gloss White Pan - A2006

\$495.00 gst inclusive

\*Strap 150mm - AU-003

\$77.00 gst inclusive

PACO JAANSON BATHROOM INNOVATIONS

Copyright © 2017. All rights reserved. Updated: 07th September 2020.

Telephone : 1800 006 260

Email - info@pacojaanson.com.au

www.pacojaanson.com.au

# paco jaanson

## DAYTONA MARK II - RIMLESS

Short Projection Wall Face Pan White

Product Code: A2006



All installations should be carried out by a qualified tradesman in compliance with the national Plumbing & Drainage Code and any State or Local Authority Regulations, in accordance with AS/NZS 3500 series of standards and AS/NZA 6400.

## WARRANTY STATEMENT

Paco Jaanson vitreous china is guaranteed for 15 years ( seat cover, accessories, valves, washers are guaranteed for 1 year ) from date of purchase subject to the following conditions:

1. Installation has been carried out by a licensed plumber in accordance with the plumbing code of Australia.
2. All maintenance and adjustments to the product after the installation have been carried out by a licensed plumber.
3. Only mild household detergents and soft (non-abrasive) cloth has been used to clean the product.
4. All goods of substandard quality manufacture (excluding imperfections permitted within AS1976 - vitreous china used in sanitary applications) will be credited or replaced by Paco Jaanson when advised within the warranty period, subject to prior inspection and agreement.
5. Proof of purchase is required for warranty claims.

FULL WARRANTY & CONDITIONS  
[www.pacojaanson.com.au](http://www.pacojaanson.com.au)

## LIMITATIONS

To the extent permitted under the Trade Practices Act and other relevant legislation, Paco Jaanson's liability is limited to: The cost of replacing the goods, or The cost of obtaining equivalent goods, or The cost of having the goods repaired. Paco Jaanson is not responsible for any lack of operation or performance of goods (or any loss or damage) where goods are used or adapted for a with other goods not supplied by Paco Jaanson. It is the responsibility of the customer and installer before installation to ensure are correct and free of obvious visible faults. Paco Jaanson is not responsible for the labour and rectification costs incurred in the above circumstance.

## PRICING STRUCTURE

Retail Pricing:

Gloss White Pan - A2006

\$495.00 gst inclusive

\*Strap 150mm - AU-003

\$77.00 gst inclusive

PACO JAANSON BATHROOM INNOVATIONS

Copyright © 2018. All rights reserved. Updated: 07th September 2020.

Telephone : 1800 006 260

Email - [info@pacojaanson.com.au](mailto:info@pacojaanson.com.au)

[www.pacojaanson.com.au](http://www.pacojaanson.com.au)