

paco jaanson

BREEZE MECHANICAL

In Wall Cistern Control Plates

Code: PJ-G3004118BN



DESCRIPTION

Architectural trends developed after the 1980s brought up the preference of wall hung & concealed products in the bathrooms and kitchens instead of the old floor standing products due to aesthetic, functional & hygienic aspects.

In accordance with the new trends, concealed cisterns and wall hung bowls have been developed to be replaced with floor standing toilet bowls and exposed integral ceramic cisterns or suspended plastic cisterns.

Compared to the old type applications; concealed cistern-wall hung bowl combination has the advantage of : Space saving, aesthetic view and hygiene.

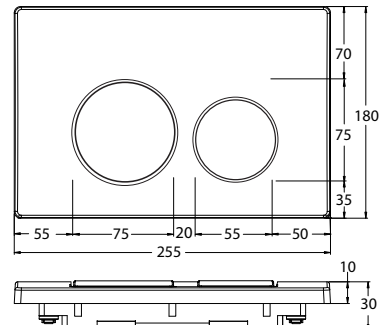


PRICING STRUCTURE

Brushed Nickel	Gunmetal
PJ-G3004118BN	PJ-G3004118GM
\$180.00 gst inc.	\$180.00 gst inc.

Dimensions

255mm (w) x 30mm (d) x 180mm (h)



Features

Suits Breeze Mechanical Concealed Cisterns
Code: PJ-G3003 + Code: PJ-G3003 II

Complete with Mounting Screws

5 Years Limited Manufacturers Warranty

1 Year Limited Commercial Warranty

Special Finish - 1 Year Limited Warranty *

Easy to remove for maintenance access to the cistern

Available in :



* Brushed Nickel (PJ-G3004118BN)



* Gunmetal (PJ-G3004118GM)

PACO JAANSON BATHROOM INNOVATIONS
Copyright © 2019 All rights reserved. Updated 30th May 2021

Telephone : 1800 006 260

Email - info@pacojaanson.com.au

www.pacojaanson.com.au