

paco jaanson

BOLD  **IB RUBINETTERIE**

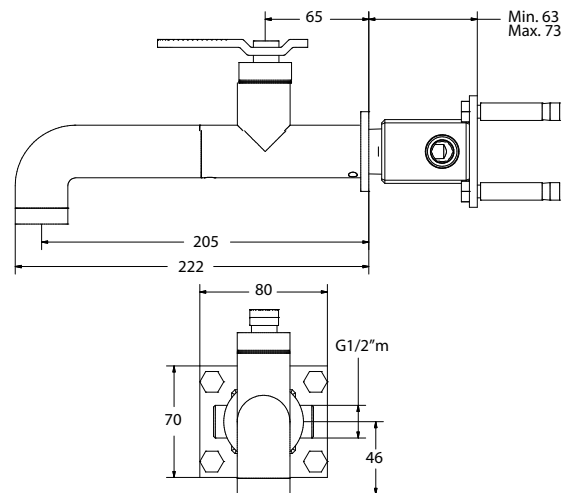
Wall Spout with Intergrated Factory Lever Control

Product Code: B2-209 (Polished Chrome)



Dimensions

50mm (w) x 222mm (d) x 120mm (h)



DESCRIPTION

The industrial tap design essence is in the design of the BOLD Collection, the new product designed by Federico Castelli & Antonio Gardoni. Marked with a knurling that makes the grip easy and comfortable, the name reinforces the peculiarity of these taps, inspired by the metropolitan design of the industrial taps, where the salient aspects are robustness, essentiality and functionality.

BOLD is available with two types of levers - the "factory" and the "handwheel" - combined on a collection of products. A project that reinvents a memorable design with a contemporary touch and leaving the mark with a fresh, courageous and unusual idea.

"We are called to be BOLD".

RETAIL PRICING STRUCTURE

Polished Chrome B2-209 \$850.00 gst inc.	Brushed Nickel B2-209SS \$1,275.00 gst inc.	Brushed Black Chrome B2-209CS \$1,530.00 gst inc.	Brushed Pale Gold B2-209IS \$1,530.00 gst inc.
--	---	---	--



Features

Made in Italy

Marked Knurl for a more Comfortable Grip

Water Mark Australian Standard

5 Star - Wels 5 Litres / Min

10 Years Limited Manufacturers Warranty

1 Year Limited Commercial Warranty

Available in - Polished Chrome (B2-209)
- Brushed Black Chrome (B2-209CS)
- Brushed Nickel (B2-209SS)
- Brushed Pale Gold (B2-209IS)

PACO JAANSON BATHROOM INNOVATIONS

Copyright © 2019. All rights reserved. Updated: 31st August 2019.

Telephone : 1800 006 260

Email - info@pacojaanson.com.au

www.pacojaanson.com.au