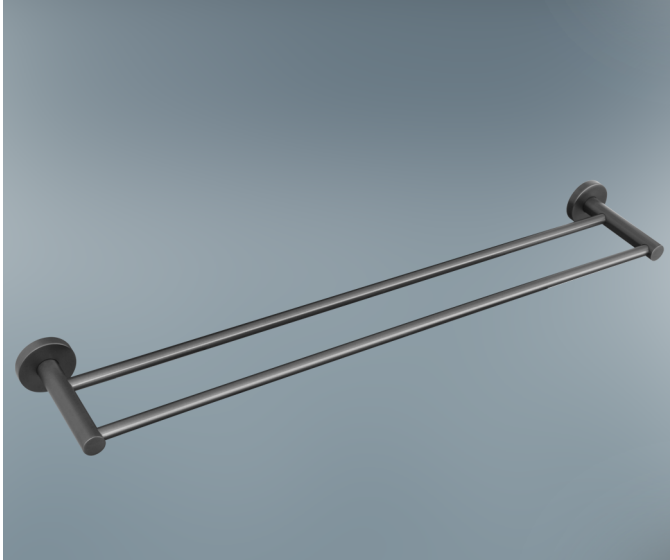


# paco jaanson

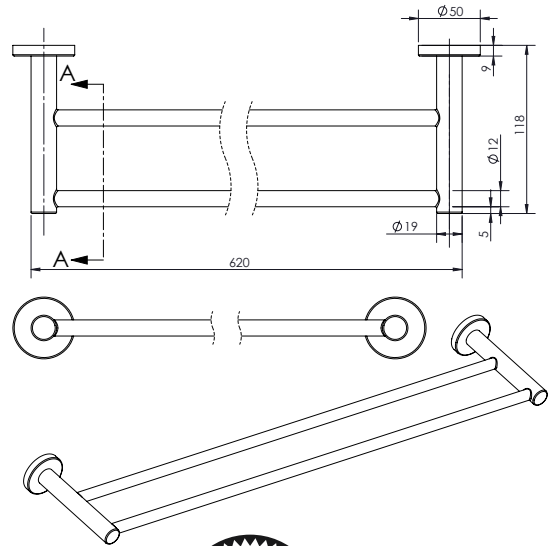
## MONZA

Bathroom Accessories - 600mm Double Towel Rail  
Product Code: EV-13110-GM



### Overall Dimensions

650mm (w) x 118mm (d) x 50mm (h)



## DESCRIPTION

People are forever looking for goods that will make a statement, will inspire, reflect their individuality and are designed to last.

Consumers requirements are the nucleus for every aspect of each product developed, and is reflected in each finished item.

Inherent in every Monza component are the best grade materials stemming from the highest level of thinking.

### Features

Equisite Gunmetal Finish

7 Years Limited Manufacturers Warranty

1 Year Limited Commercial Warranty

Complete Range



## PRICING STRUCTURE

Retail Pricing:

Double Towel Rail EV-13110-GM

\$168.00 gst inclusive

PACO JAANSON BATHROOM INNOVATIONS  
Copyright © 2021. All rights reserved. Included 05th June 2021.

Telephone : 1800 006 260

Email - [info@pacojaanson.com.au](mailto:info@pacojaanson.com.au)

[www.pacojaanson.com.au](http://www.pacojaanson.com.au)