

Logis

Single lever basin mixer for concealed installation Fine wall-mounted with spout 20,5 cm

Surfaces: **Chrome** Article Number: **71256000**



Description

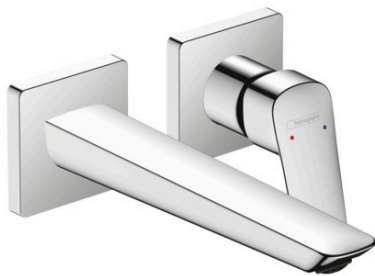
product features

- consists of: single lever basin mixer for concealed installation wall-mounted, waste set
- handle variant: lever handle
- projection 206 mm
- spray type: normal spray
- maximum flow rate at 3 bar: 5 l/min
- suitable for continuous flow water heaters
- non-closing waste set
- material waste set: metal
- connection dimension: DN15
- handle can be positioned on the right or left, depends on the basic set installation
- noise class: I
- not included: basic set

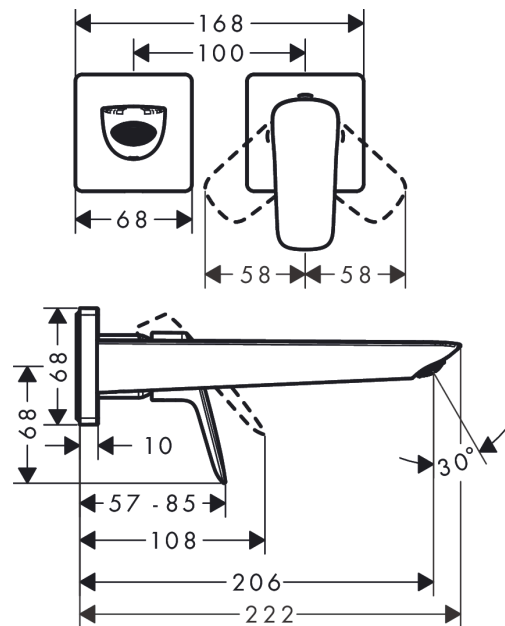
Technology



Product image



Scale drawing



Logis

Single lever basin mixer for concealed installation Fine wall-mounted with spout 20,5 cm

Surfaces: **Chrome** Article Number: **71256000**



Flowchart

