

DogShower

Dogs hand shower 150 3jet Select

Surfaces: **Matt White** Article Number: **26640700**



Description

product features

- connection dimension: DN15
- spray type: fur spray, leg spray, paw spray
- shower head size: 150 x 63 mm
- scope of supply: hand shower, filter seal, assembly instruction
- operating pressure: min. 0.2 MPa/max. 0.6 MPa
- minimum flow pressure: 1 bar
- minimum function point for proper function: 5,7 l/min
- maximum flow rate at 3 bar: 7,6 l/min
- elongated, brush-like nozzles (1,5 cm) for thorough cleaning with massage effect
- ergonomic design
- convenient diversion via Select button
- Water Boost: boost function to increase waterflow when needed

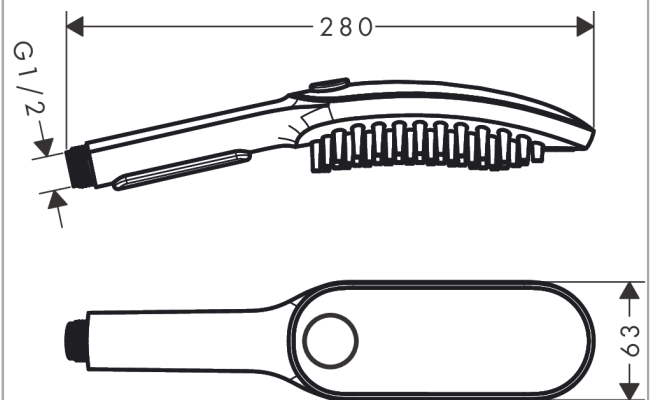
Technology



Product image



Scale drawing



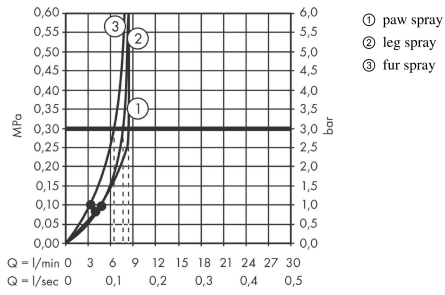
DogShower

Dogs hand shower 150 3jet Select

Surfaces: **Matt White** Article Number: **26640700**



Flowchart



The consumption was measured in combination with the appropriate fittings (thermostat/mixer/in-wall valve) to reflect actual application in practice.